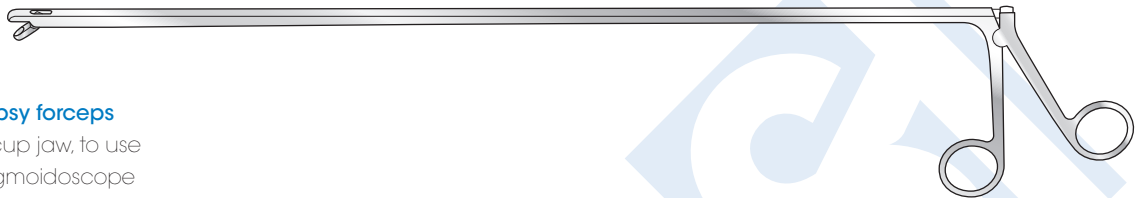


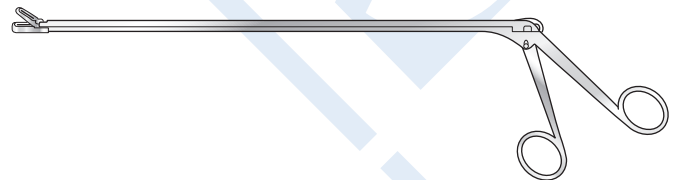
FORCEPS



Officer biopsy forceps

with 8mm cup jaw, to use through sigmoidoscope

SC-PR/001 shaft length 430mm



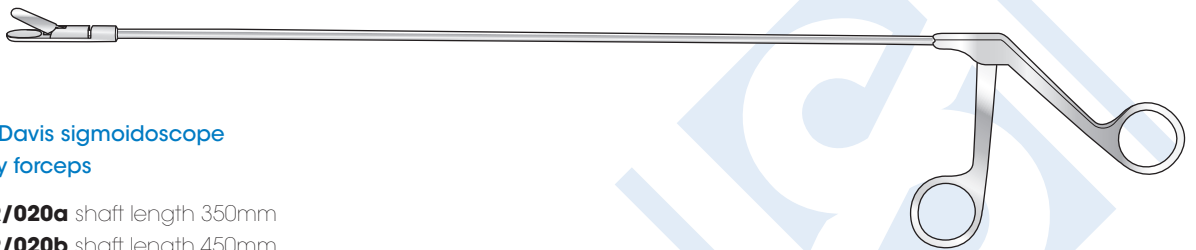
Yeoman basket

jawed to use through sigmoidoscope

SC-PR/002a shaft length 250mm

SC-PR/002b shaft length 355mm

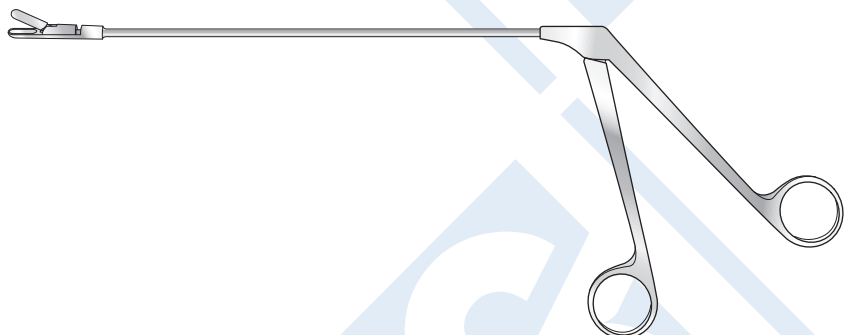
SC-PR/002c shaft length 430mm



Lloyd-Davis sigmoidoscope biopsy forceps

SC-PR/020a shaft length 350mm

SC-PR/020b shaft length 450mm



Walton rectal biopsy forceps

with laterally angled shanks

SC-PR/022 shaft length 203mm shaft



Officer dissecting forceps

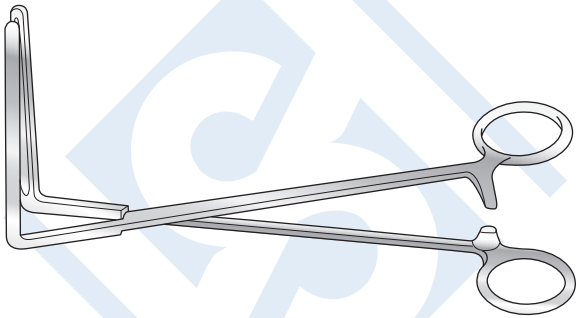
SC-PR/008a 2-3 fine teeth, 150mm long

SC-PR/008b 2-3 fine teeth, 200mm long

SC-PR/008c 4-5 fine teeth, 200mm long

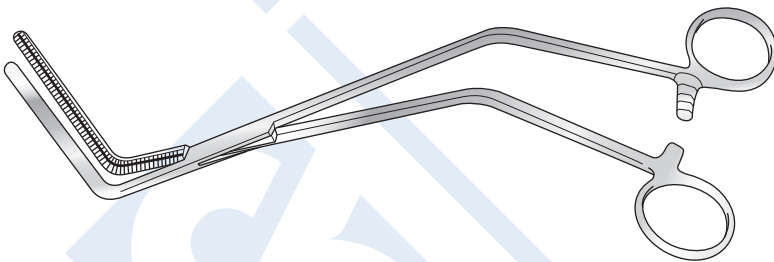
SC-PR/008d 4-5 fine teeth, 250mm long

FORCEPS AND CLAMPS



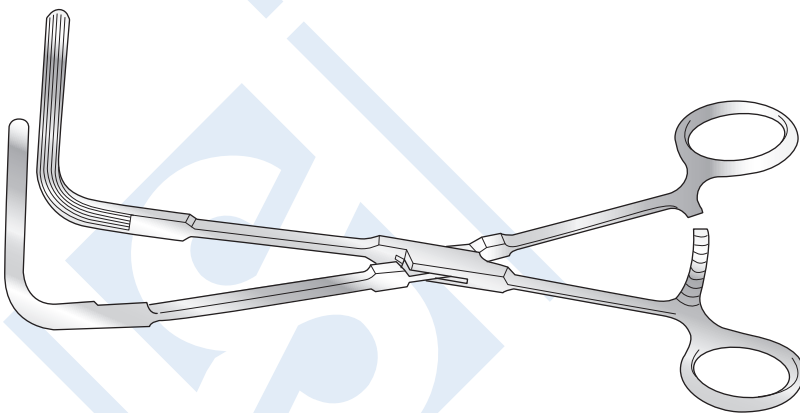
Finch excision
with hollowed jaws

SC-PR/003 75mm blade, 215mm long



Hays colon resection clamp
angled at 70°

SC-PR/004a jaw length 80mm, 270mm long
SC-PR/004 jaw length 100mm, 285mm long



Lloyd-Davis rectal occlusion forceps
with longitudinal serrations

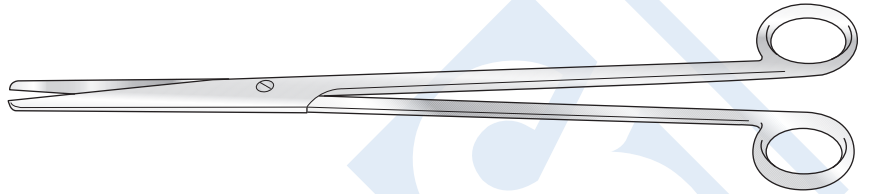
SC-PR/023, 300mm long

SCISSORS AND DIRECTORS

Abel abdominal-perineal scissors

straight

SC-PR/016 320mm long



Goligher scissors

straight

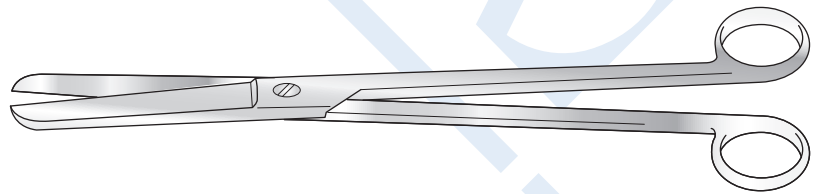
SC-PR/017a 300mm long

SC-PR/017b 330mm long

curved

SC-PR/017c 300mm long

SC-PR/017d 330mm long



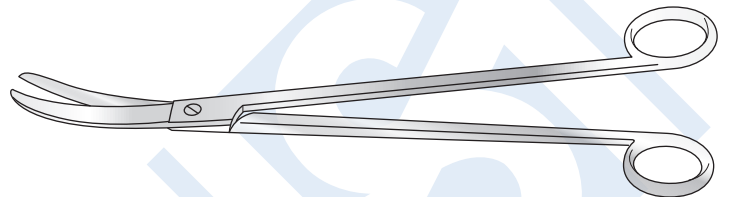
Lloyd-Davis rectal scissors

flattened blades, blunt points

265mm long

SC-PR/018a straight

SC-PR/018b curved on flat



St Mark's rectal dilator

SC-PR/005a small, 14mm x 19mm

SC-PR/005b large, 16mm x 25mm



Lockhart Mummery fistula director

165mm long



SC-PR/006a1 with 1mm hole
straight



SC-PR/006b with 1mm hole
45° curve

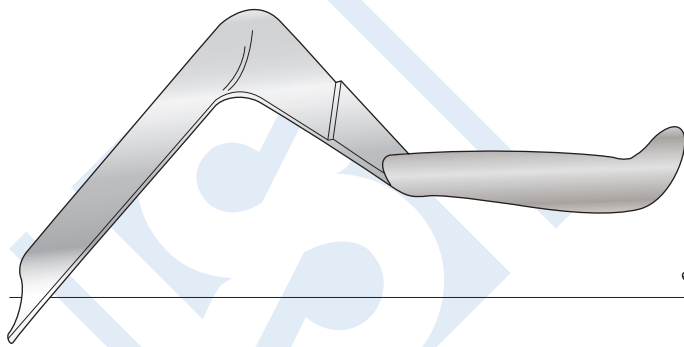


SC-PR/006c1 with 1mm hole
90° curve



SC-PR/006d1 with 1mm hole
retrograde

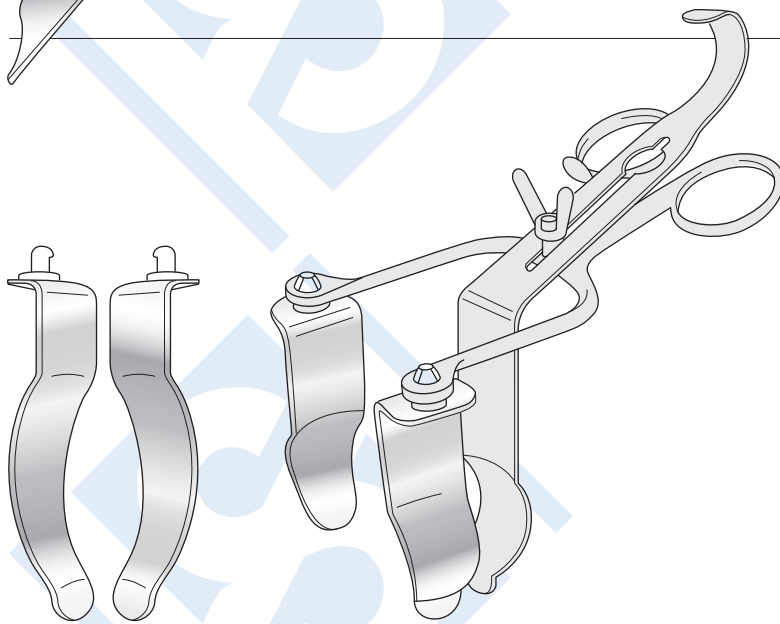
RETRACTORS AND PROCTOSCOPES



Lloyd-Davis retractor

SC-PR/013a short, without tapered end,
125mm x 55mm

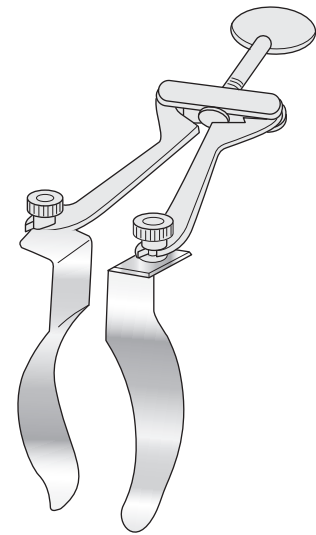
SC-PR/013b long, with tapered end,
170mm x 65mm x 50mm



Park combined anal retractor

self retaining, with 2 sets of interchangeable blades and
one adjustable centre blade

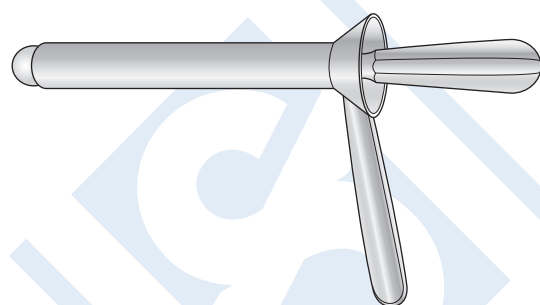
SC-PR/015 140mm long



Park anal retractor

self retaining

SC-PR/014 130mm, 95mm



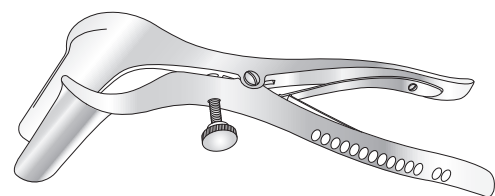
Kelly proctoscope

with obturator, lumen

SC-PR/012a 140mm long

SC-PR/012b 200mm long

SC-PR/012c tapered, 22mm \varnothing , x 100mm

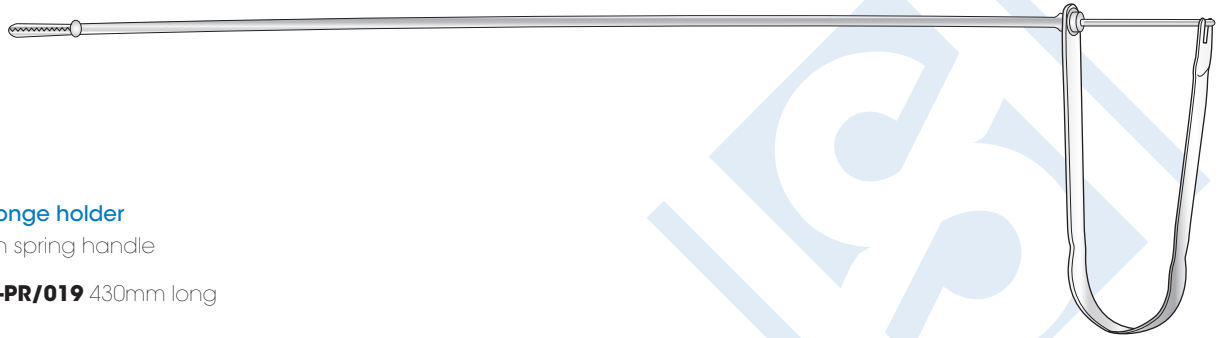


Eisenhammer speculum

SC-SH/4120 blade 70mm long x 20mm wide

SC-SH/41201 blade 95mm long x 20mm wide

MISCELLANEOUS

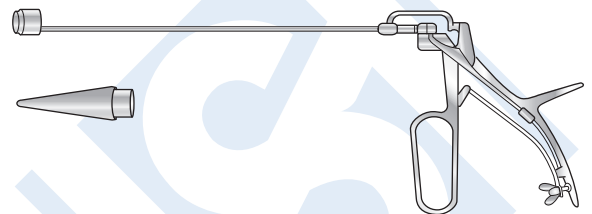


Sponge holder
with spring handle

SC-PR/019 430mm long

Barron haemorrhoid ligator set
comprising ligator, conical loader,
300 'O' rings and handle

SC-PR/009 215mm long

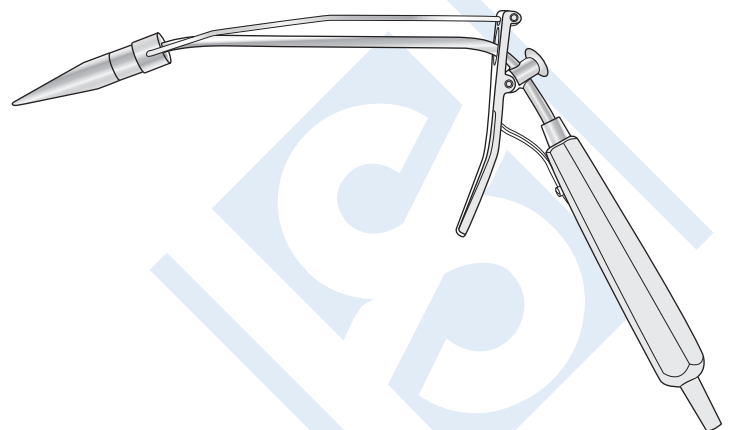


Conical loader
SC-PR/010 spare

'O' rings
SC-PR/011 pack of 300

Pile band applicator

SC-PIL/001 295mm overall length



NOTES

