

diathermy/bipolar

diathermy scissors	PAGE 61
diathermy forceps	PAGE 61
bipolar forceps	PAGE 62
handles, needles and blades	PAGE 63
leads	PAGE 64
quivers	PAGE 64

DIATHERMY SCISSORS AND FORCEPS

Turner Warwick diathermy scissors

straight

- SC-DIA/072** 190mm long
- SC-DIA/073** 230mm long
- SC-DIA/074** 250mm long

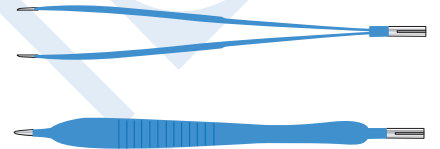
curved

- SC-DIA/075** 190mm long
- SC-DIA/076** 230mm long
- SC-DIA/077** 250mm long



Adson forceps

- SC-DIA/003** 152mm long



Dissecting forceps

serrated

- SC-DIA/004** 152mm long
- SC-DIA/005** 178mm long
- SC-DIA/006** 203mm long
- SC-DIA/007** 228mm long
- SC-DIA/008** 254mm long

1-2 teeth

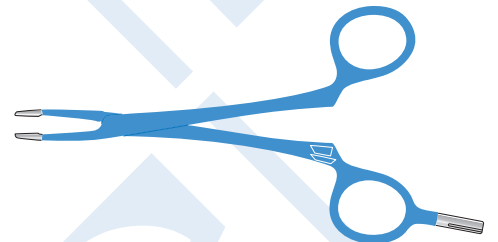
- SC-DIA/009** 152mm long
- SC-DIA/010** 178mm long
- SC-DIA/011** 203mm long
- SC-DIA/012** 228mm long
- SC-DIA/013** 254mm long



Riches artery forceps

screw joint, curved

- SC-DIA/014** 127mm long
- SC-DIA/015** 152mm long
- SC-DIA/016** 178mm long
- SC-DIA/017** 185mm long
- SC-DIA/017a** 203mm long
- SC-DIA/018** 228mm long



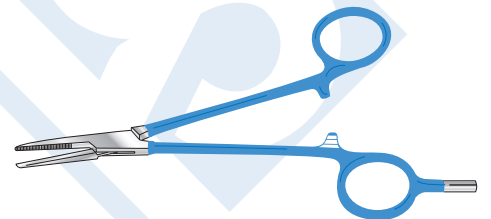
Wilson Hey artery forceps

curved

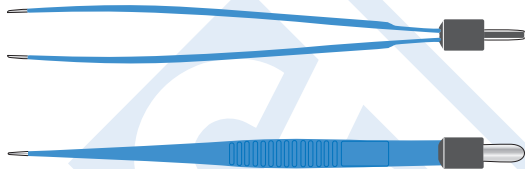
- SC-DIA/019** 152mm long
- SC-DIA/020** 178mm long
- SC-DIA/021** 185mm long
- SC-DIA/022** 228mm long

straight

- SC-DIA/023** 152mm long
- SC-DIA/024** 178mm long
- SC-DIA/025** 185mm long
- SC-DIA/026** 228mm long



BIPOLAR FORCEPS

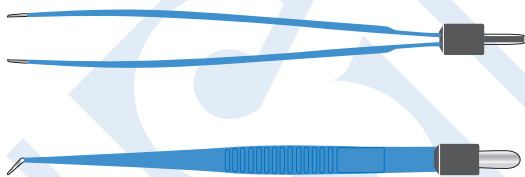


Bipolar forceps
straight

fine tip
SC-DIA/034 101mm long
SC-DIA/035 127mm long
SC-DIA/036 152mm long
SC-DIA/037 178mm long
SC-DIA/038 185mm long

medium tip
SC-DIA/039 101mm long
SC-DIA/040 127mm long
SC-DIA/041 152mm long
SC-DIA/042 178mm long
SC-DIA/043 185mm long

heavy tip
SC-DIA/044 101mm long
SC-DIA/045 127mm long
SC-DIA/046 152mm long
SC-DIA/047 178mm long
SC-DIA/048 185mm long



Bipolar forceps
angled

fine tip
SC-DIA/049 101mm long
SC-DIA/050 127mm long
SC-DIA/051 152mm long
SC-DIA/052 178mm long
SC-DIA/053 185mm long

medium tip
SC-DIA/054 101mm long
SC-DIA/055 127mm long
SC-DIA/056 152mm long
SC-DIA/057 178mm long
SC-DIA/058 185mm long

heavy tip
SC-DIA/059 101mm long
SC-DIA/060 127mm long
SC-DIA/061 152mm long
SC-DIA/062 178mm long
SC-DIA/063 185mm long



Adson bipolar forceps

SC-DIA/003a 152mm long

HANDLES / NEEDLES / BLADES

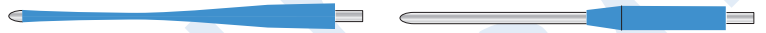
Monel handle

SC-DIA/028 145mm long



Monel blade

SC-DIA/029 fully insulated
SC-DIA/030 non insulated



Needle handles

SC-DIA/027



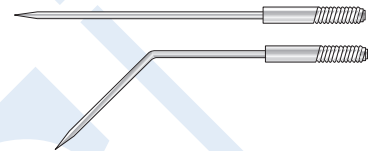
Needles

straight

SC-DIA/064 stout
SC-DIA/064a medium

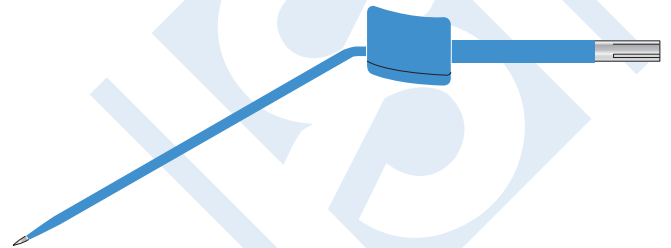
angled

SC-DIA/064b stout
SC-DIA/064c medium



Abbey diathermy needle

SC-DIA/078



Diathermy arm

with ball

SC-DIA/069 curved
SC-DIA/069a straight



Finger switch pencil

with spatula and 3 metre lead

SC-DIA/068



Spatula blade

for diathermy finger

SC-DIA/067a



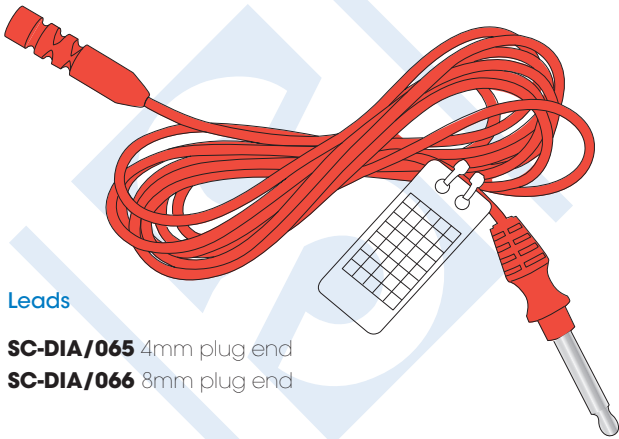
Needle point

for diathermy finger

SC-DIA/067b



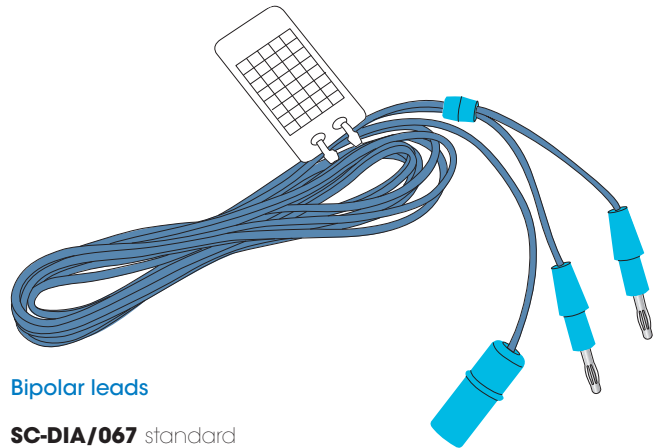
LEADS / MISCELLANEOUS



Leads

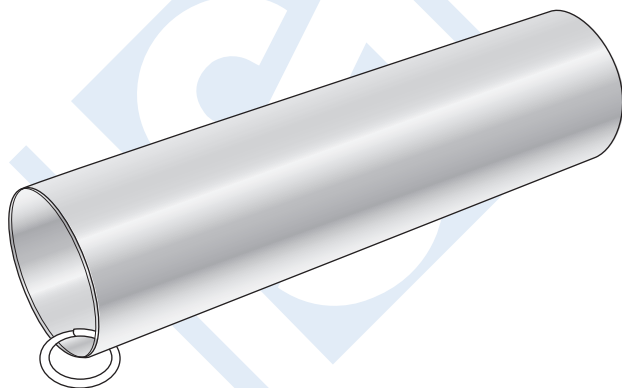
SC-DIA/065 4mm plug end

SC-DIA/066 8mm plug end



Bipolar leads

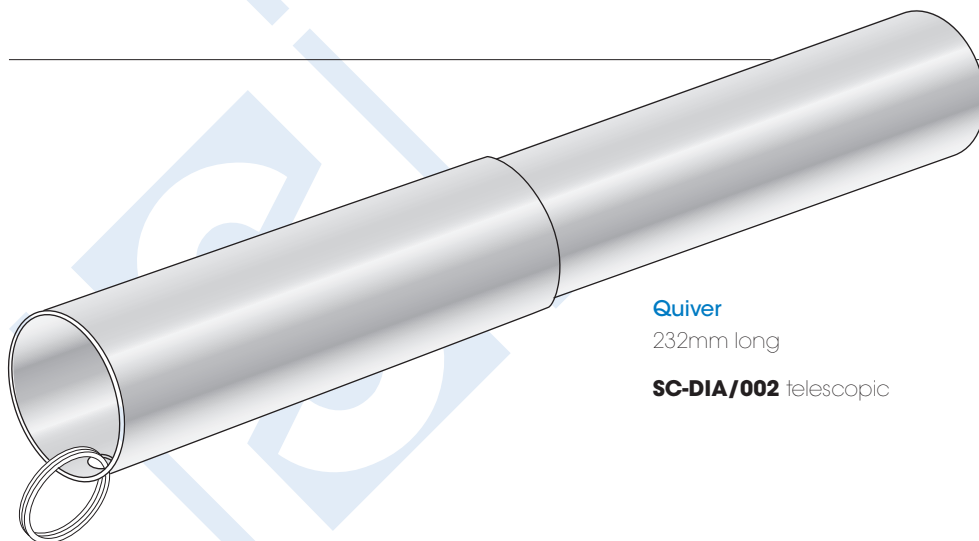
SC-DIA/067 standard



Quiver

232mm long

SC-DIA/001 standard



Quiver

232mm long

SC-DIA/002 telescopic