

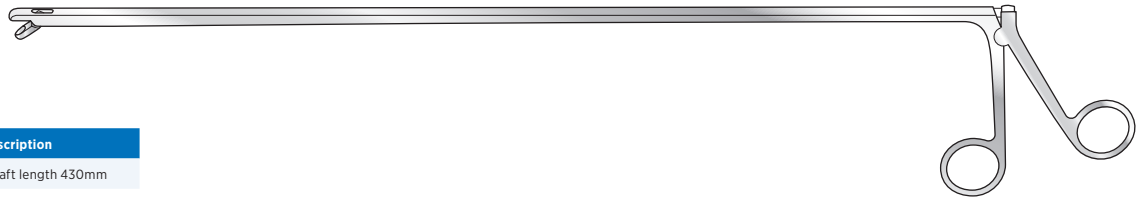
Proctology

Forceps	206
Clamps	207
Scissors	208
Directors	208
Retractors	209
Proctoscopes	209
Sponge Holder	210

Forceps

Officer Biopsy Forceps

With 8mm cup jaw, to use through a sigmoidoscope



Code	Description
SC-PR/001	Shaft length 430mm

Yeoman Basket

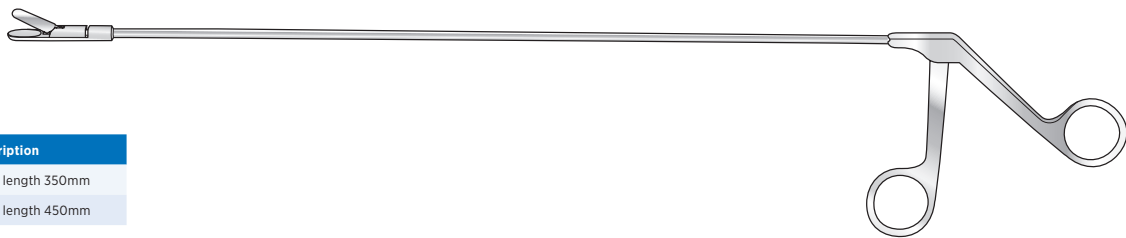
Jawed to use through a sigmoidoscope



Code	Description
SC-PR/002a	Shaft length 250mm
SC-PR/002b	Shaft length 355mm
SC-PR/002c	Shaft length 430mm

Lloyd-Davis Sigmoidoscope

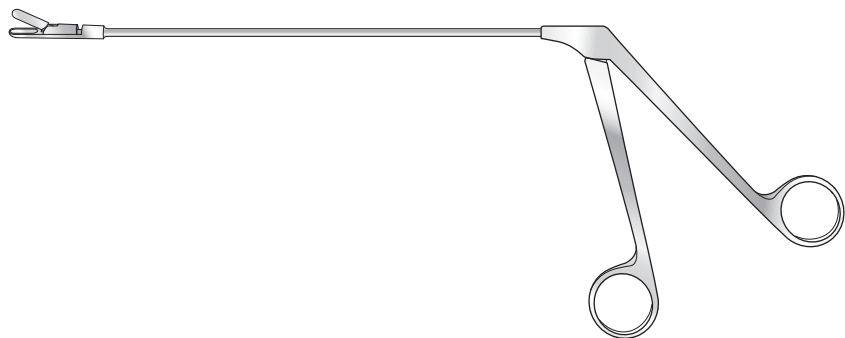
Biopsy forceps



Code	Description
SC-PR/020a	Shaft length 350mm
SC-PR/020b	Shaft length 450mm

Walton Rectal Biopsy Forceps

With laterally angled shanks



Code	Description
SC-PR/022	Shaft length 203mm

Officer Dissecting Forceps

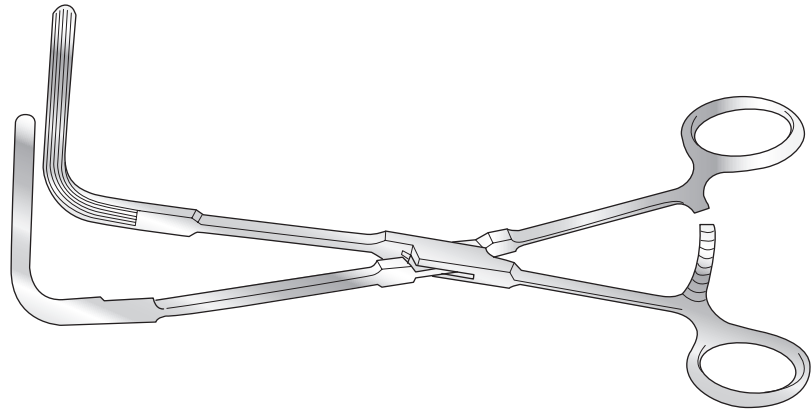


Code	Description
SC-PR/008a	2-3 fine teeth, 150mm long
SC-PR/008b	2-3 fine teeth, 200mm long

Code	Description
SC-PR/008c	4-5 fine teeth, 200mm long
SC-PR/008d	4-5 fine teeth, 250mm long

Lloyd-Davis Rectal Occlusion Forceps

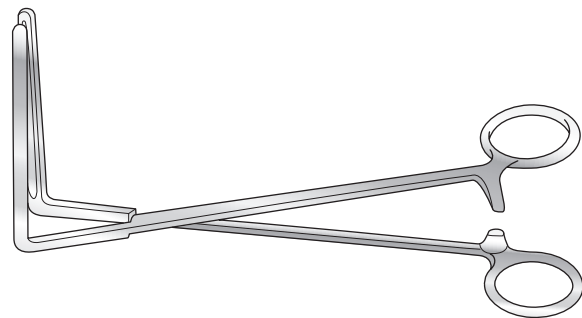
With longitudinal serrations



Code	Description
SC-PR/023	300mm long

Finch Excision Clamp

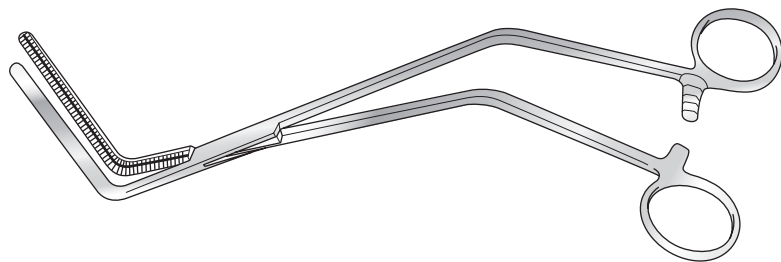
With hollowed jaws



Code	Description
SC-PR/003	75mm blade, 215mm long

Hays Colon Resection Clamp

Angled at 70°



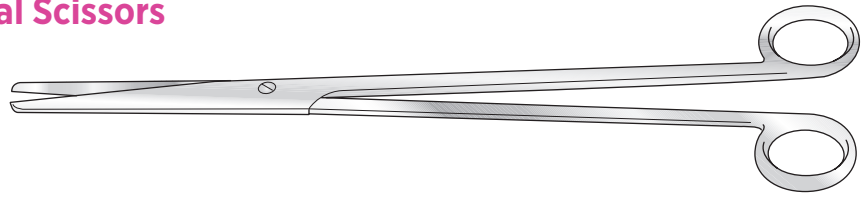
Code	Description
SC-PR/004a	Jaw length 80mm 270mm long
SC-PR/004	Jaw length 100mm 285mm long

Scissors and Directors

Abel Abdominal-Perineal Scissors

Straight

Code	Description
SC-PR/016	320mm long



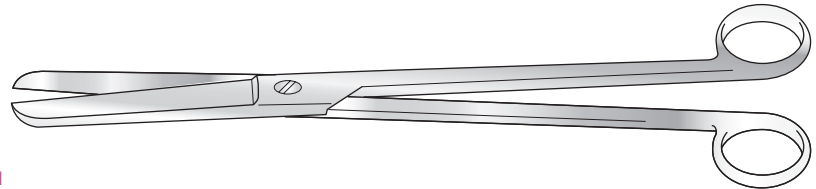
Goligher Scissors

Straight

Code	Description
SC-PR/017a	300mm long
SC-PR/017b	330mm long

Curved

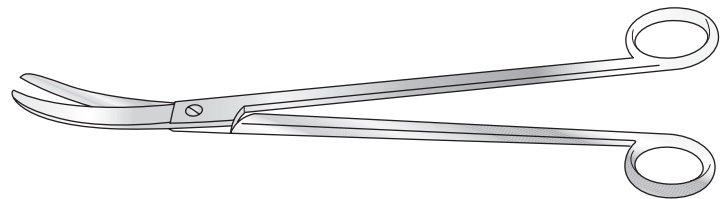
Code	Description
SC-PR/017c	300mm long
SC-PR/017d	330mm long



Lloyd-Davis Rectal Scissors

Flattened blades, blunt points
265mm long

Code	Description
SC-PR/018a	Straight
SC-PR/018b	Curved on flat



St Mark's Rectal Dilator

Code	Description
SC-PR/005a	Small, 14mm x 19mm
SC-PR/005b	Large, 16mm x 25mm



Lockhart Mummery Fistula Director

165mm long

Straight

Code	Description
SC-PR/006a1	With 1mm hole



90° curve

Code	Description
SC-PR/006c1	With 1mm hole



45° curve

Code	Description
SC-PR/006b	With 1mm hole

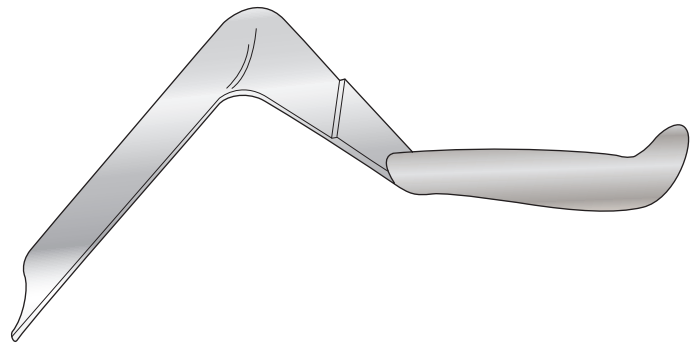


Retrograde

Code	Description
SC-PR/006d1	With 1mm hole



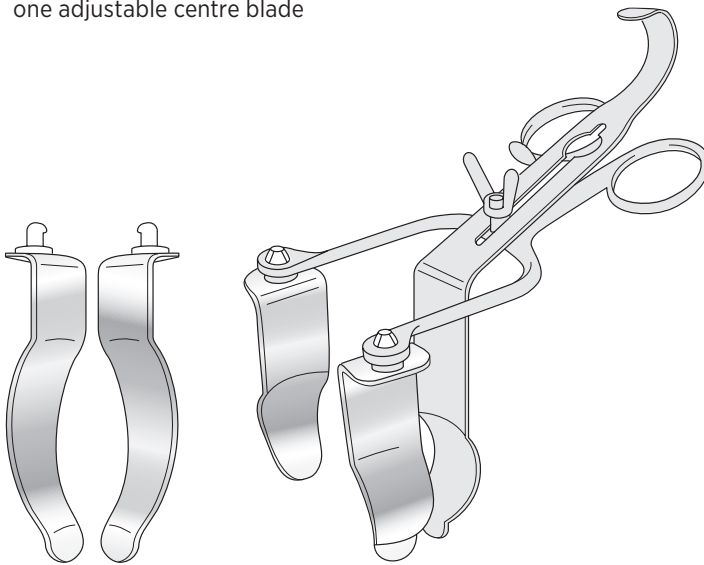
Lloyd-Davis Retractor



Code	Description
SC-PR/013a	Short, without tapered end, 125mm x 55mm
SC-PR/013b	Long, with tapered end, 170mm x 65mm x 50mm

Park Combined Anal Retractor

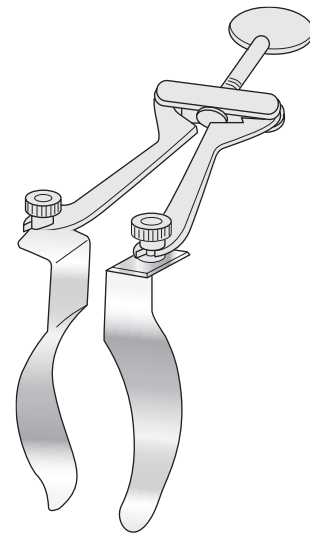
Self retaining, with 2 sets of interchangeable blades and one adjustable centre blade



Code	Description
SC-PR/015	140mm long

Park Anal Retractor

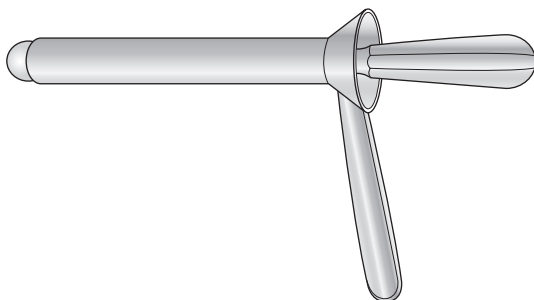
Self retaining



Code	Description
SC-PR/014	130mm, 95mm

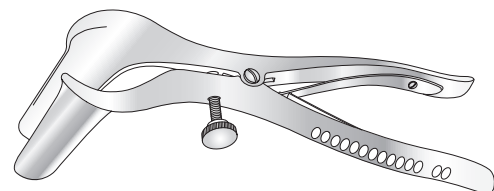
Kelly Proctoscope

With obturator, lumen



Code	Description
SC-PR/012a	140mm long
SC-PR/012b	200mm long
SC-PR/012c	Tapered, 22mm ø, x 100mm

Eisenhammer Speculum

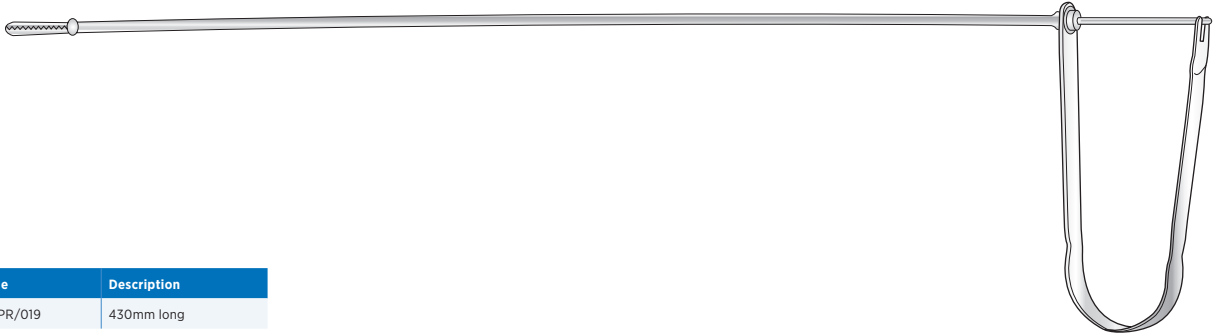


Code	Description
SC-SH/4120	Blade 70mm long x 20mm wide
SC-SH/41201	Blade 95mm long x 20mm wide

Sponge Holder

Sponge Holder

With spring handle



Code	Description
SC-PR/019	430mm long